

Masport[®] Heating

INSERT & INBUILT WOOD FIRES

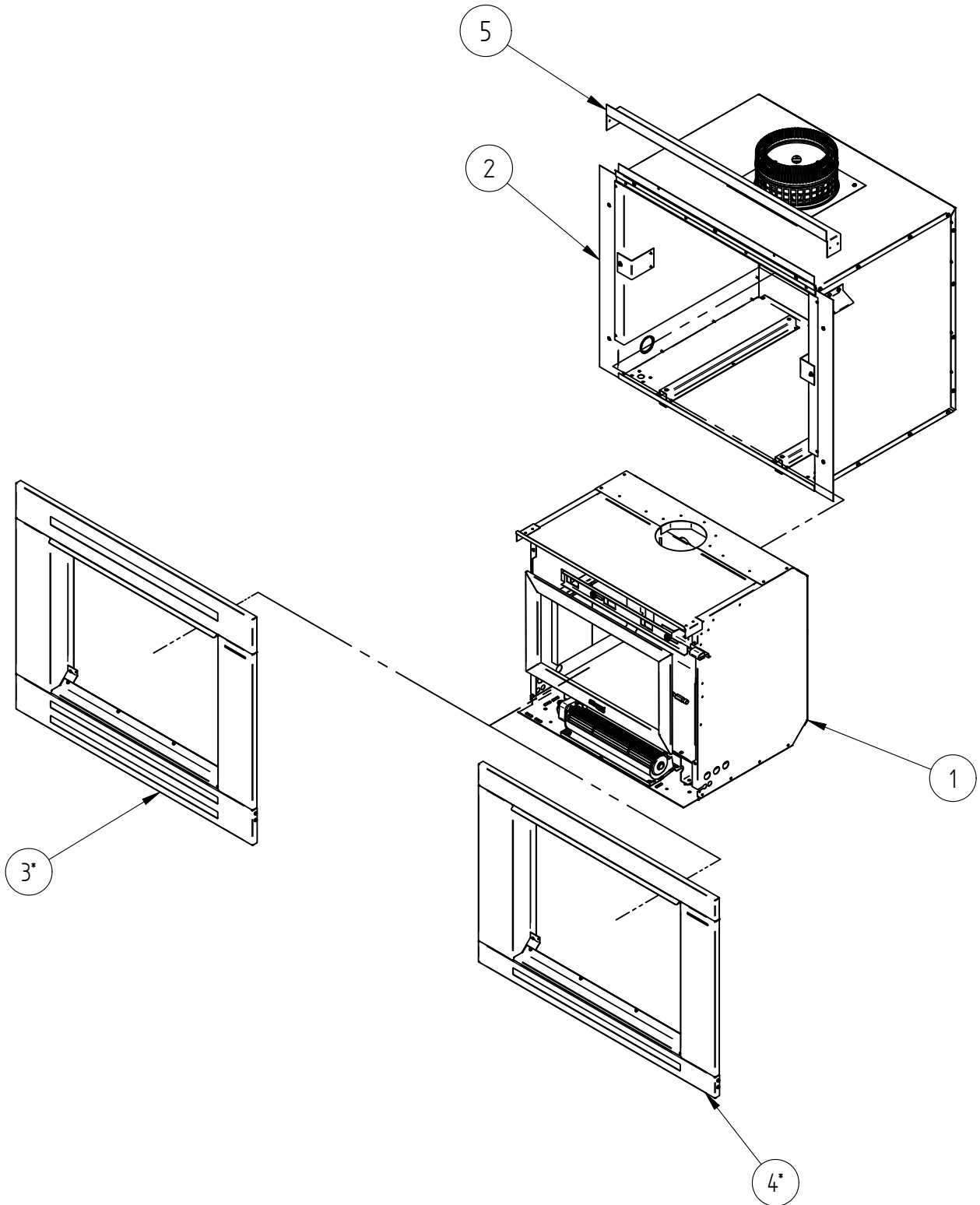
I9000 AUSTRALIA							
DESCRIPTION	ITEM NO.	MARKET	FUEL TYPE	FINISH	YEAR	FAN	
Fire Box	995921	AU	HARDWOOD	-N.A.-	APR-2010	YES	
Fascia	995922			Metallic Black VHT Paint		-N.A.-	JUN-2013
	995927*				APR-2010		
ZC Fascia	995925			JUN-2013			
	995926*			APR-2010			
ZC box	995923			-N.A.-	APR-2010		

KIT CODE	DESCRIPTION	CONTENTS	YEAR
MAW2051	KIT I9000 2010 INSERT AU	995921 + 995922	APR-2010
MAW2052	KIT I9000 2010 Z/C AU	995921 + 995923 + 995925	
	KIT I9000 2013 INSERT AU	995921 + 995927	JUN-2013
	KIT I9000 2013 Z/C AU	995921 + 995923 + 995926	

*NEW FASCIA INTRODUCED IN JUNE 13



OVER ALL SCHEMATIC FOR I9000 (AU) MASONRY & INBUILT / ZC COMPONENTS

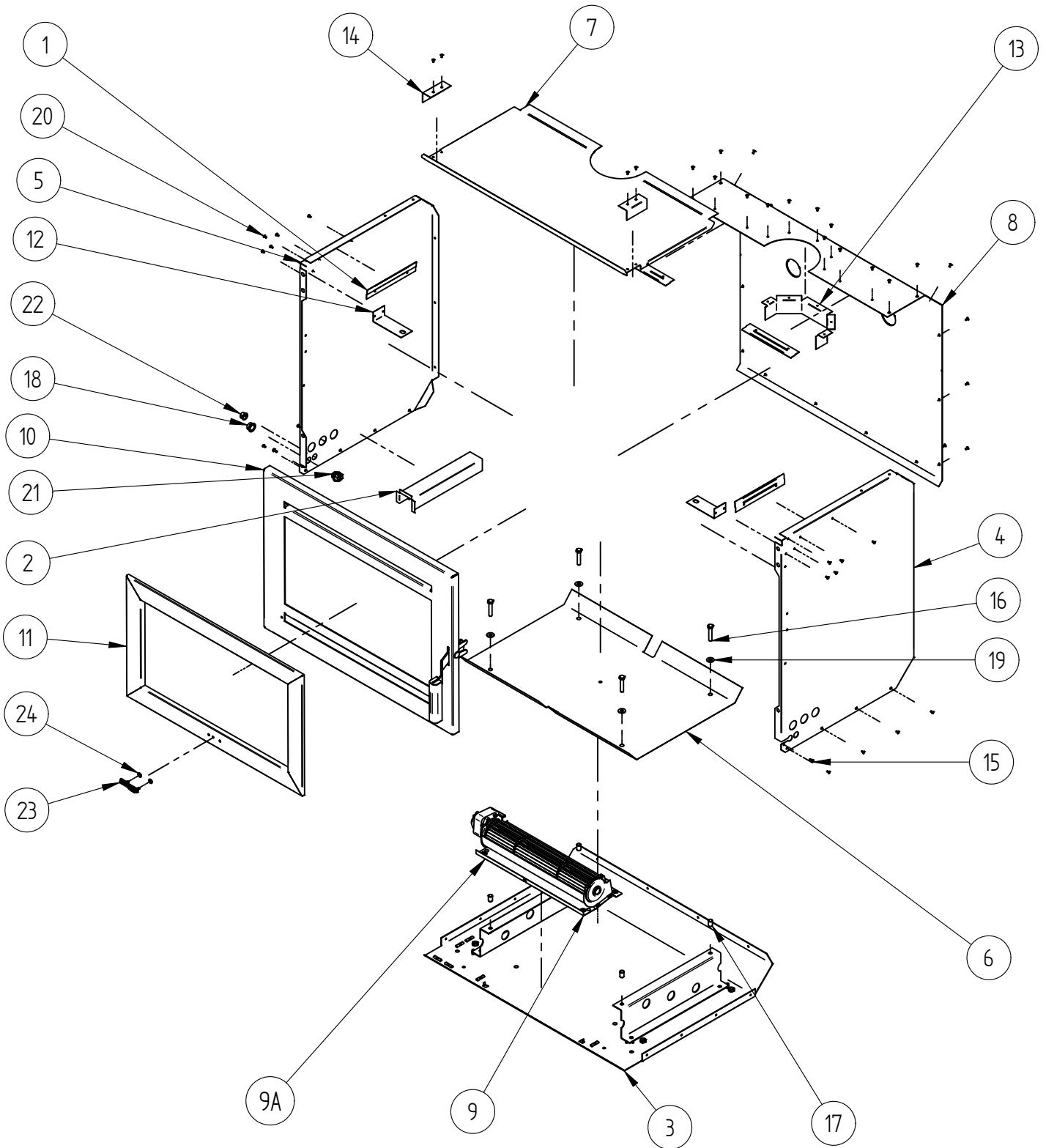


When ordering PLEASE QUOTE PART ID along with Finish Suffix (if applicable)

FASCIA AND ZERO CLEARANCE BOX				
Item	Part ID	Models	Descriptions	Qty
		995921		
1	995921	-	I-9000, Heat Cabinet	1
2	995923	-	Z/C CABINET, I-9000	1
3*	995926		FASCIA I9000 Z/C 2013 MET BLK VHT	1
4*	995927		FASCIA I9000 INSERT, 2013 MET BLK VHT PK	1
5	995168	-	SUPPORT-ANGLE, ZC KT GR PRO	1

*NEW FASCIA INTRODUCED IN JUNE 13

PANELS, DOOR AND PEDESTAL



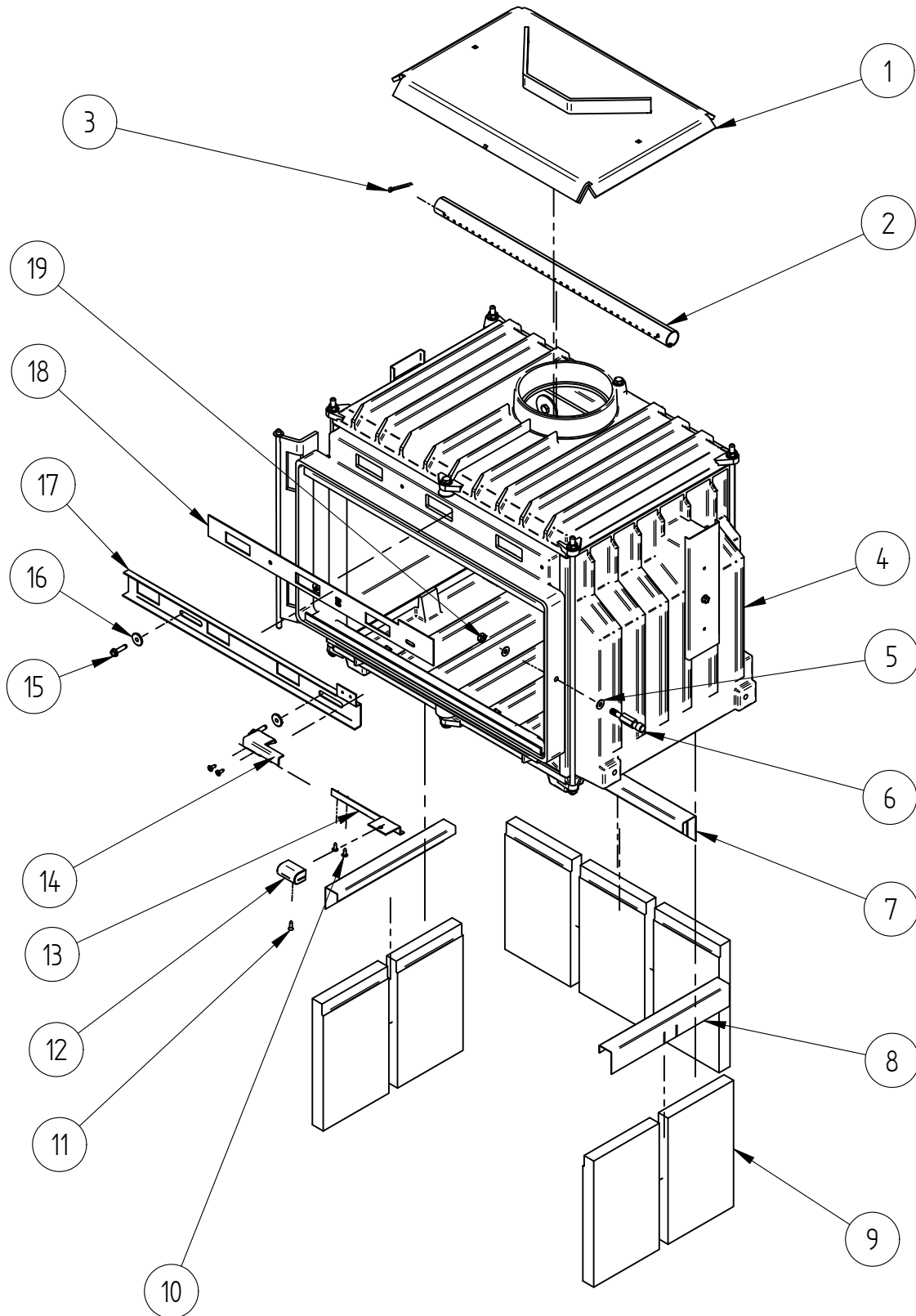
When ordering PLEASE QUOTE PART ID along with Finish Suffix (if applicable)

PANELS, DOOR AND PEDESTAL				
Item	Part ID	Models	Descriptions	Qty
		995921		
1	986514	-	CASE OUTER, GUIDE RAIL LE	4
2	993296	-	SHIELD-LOOM, LE4	1
3	993301	-	BASE ASSEMBLY W/F I9000	1
4	993304	-	CASE - OUTER, SIDE RH I-9000	1
5	993305	-	CASE - OUTER, SIDE LH I-9000	1
6	993306	-	HEATSHIELD-BOTTOM I-9000	1
7	993307	-	CASE - OUTER, TOP I-9000	1
8	993308	-	CASE OUTER, REAR I-9000	1
9	993311	-	FAN ASSY-2 SP W/F I9000	1
9A*	793311	-	FAN ASSY 2 SP FERGAS I9000 PKG	1
10	993319	-	SEE DOOR ASSEMBLY PAGE	1
11	993321	V04	TRIM-DOOR, ASSY. I9000 TITANIUM VHT	1
12	993339	-	I-9000 F/B CETRALIZING BRACKET	2
13	993348	-	SPIGOT DEFLECTOR I-9000	1
14	993377	-	H/C CAPPING 19000	2
15	521022	-	SCREW; M4X8 PAN POZI ST BLK	2
16	521070	-	SCREW; M8X40 HEX ZP	4
17	522606	-	NUT; RIVNUT STD/FLANGE M8 9858-5821	4
18	522902	-	NUT; CABLE GRIPPER 800031	1
19	523034	-	WASHER; FLAT M8X19X1.6 ZP	4
20	524008	-	RIVET; 73 MS 4-2	47
21	529201	-	CLAMP; CABLE 16 LITTLE GRIPPER	1
22	529400	-	GROMMET; PLASTIC 22-PLB16	1
23	587836	-	BADGE MASPORT CAST	1
24	526009	-	CLIP; STARLOCK M4	2

*Optional Sale Kit

When ordering PLEASE QUOTE PART ID along with Finish Suffix (if applicable)

AIRSLIDE, BAFFLE, BRICKS AND FIREBOX

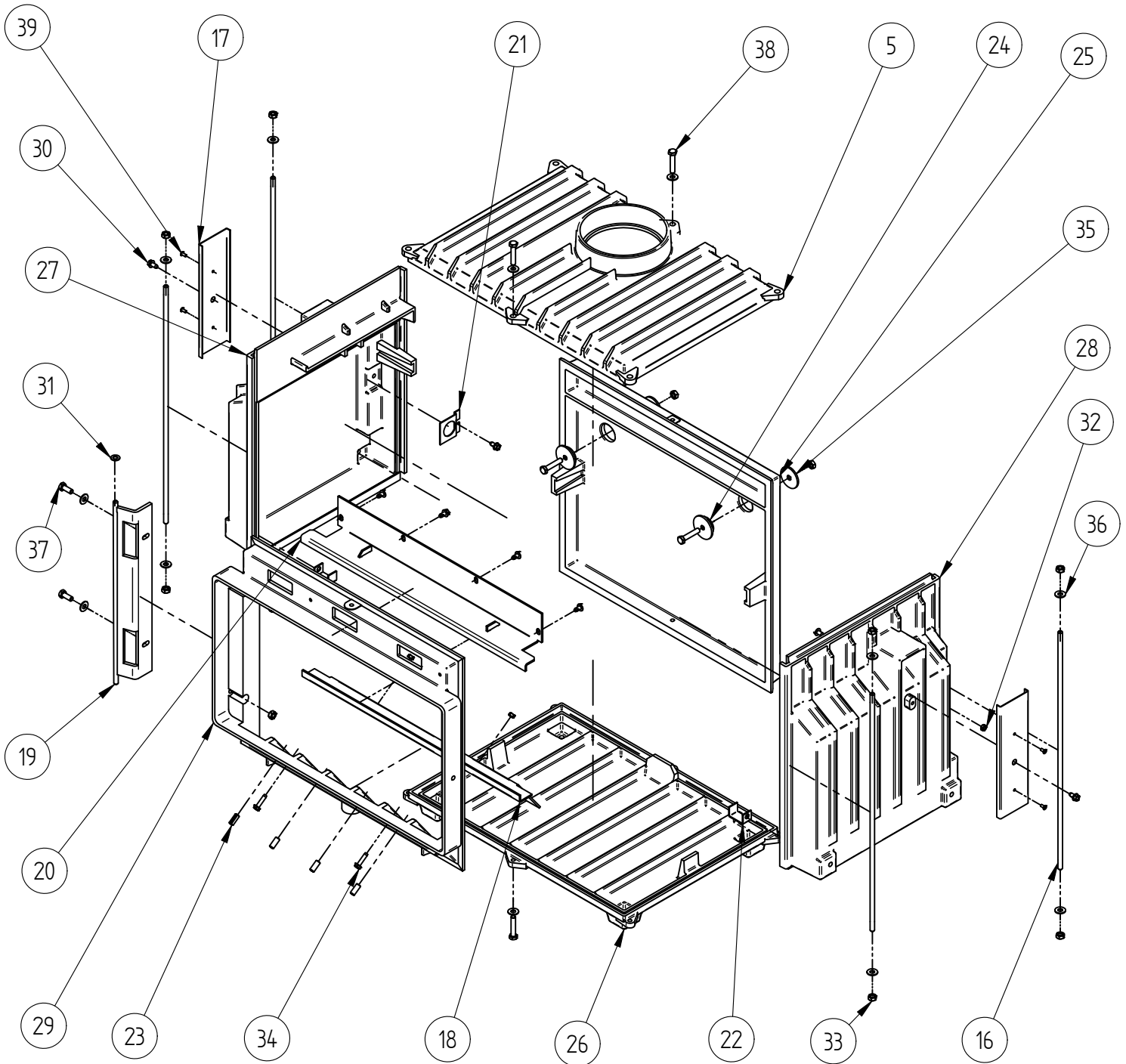


When ordering PLEASE QUOTE PART ID along with Finish Suffix (if applicable)

AIRSLIDE, BAFFLE, BRICKS AND FIREBOX				
Item	Part ID	Model	Descriptions	Qty
		995921		
1	993436	V02	BAFFLE ASSY STL	1
2	993316	-	TUBE-SEC AIR ASSY 42X3.5 19000	1
3	525105	-	PIN-COTTER	1
4	993310	-	F/B ASSY 19000 AU	1
5	523007	-	WASHER; FLAT 1/4"X5/8"X0.049" ZP	2
6	593486	-	PIN-DOOR LATCH 19000 BZP	1
7	987146	-	CHANNEL-BRICK RETAINER LE7 S/S	1
8	994258	-	CHANNEL-BRICK RETAINER F2000	2
9	MIC00354	-	BRICK - LOGAIRE BRICK	7
10	521645	-	SCREW;S/T8GX1/2"MUSH FLNGE POZI BLK	4
11	521628	-	SCREW; S/T 8GX5/8" CSK POZI ZP	1
12	986162	-	KNOB-AIR CONTROL,PRINT W/F	1
13	993347	-	LEVER-AIRSLIDE 19000	1
14	993345	-	EXTENSION AIRSLIDE BRACKET 19000	1
15	521633	-	SCREW; S/T M6X25 HEX FLANGE TAPTITE	2
16	MIC00083BK	-	MIC AIRSLIDE SPACER BLK ZC	2
17	993346	-	SLIDE AIR INLET 19000 AU	1
18	993459	-	PLATE BACK METER 19000 NZ	1
19	522118	-	NUT; HEX STD M8 ZP	1

When ordering PLEASE QUOTE PART ID along with Finish Suffix (if applicable)

FIREBOX DETAILS

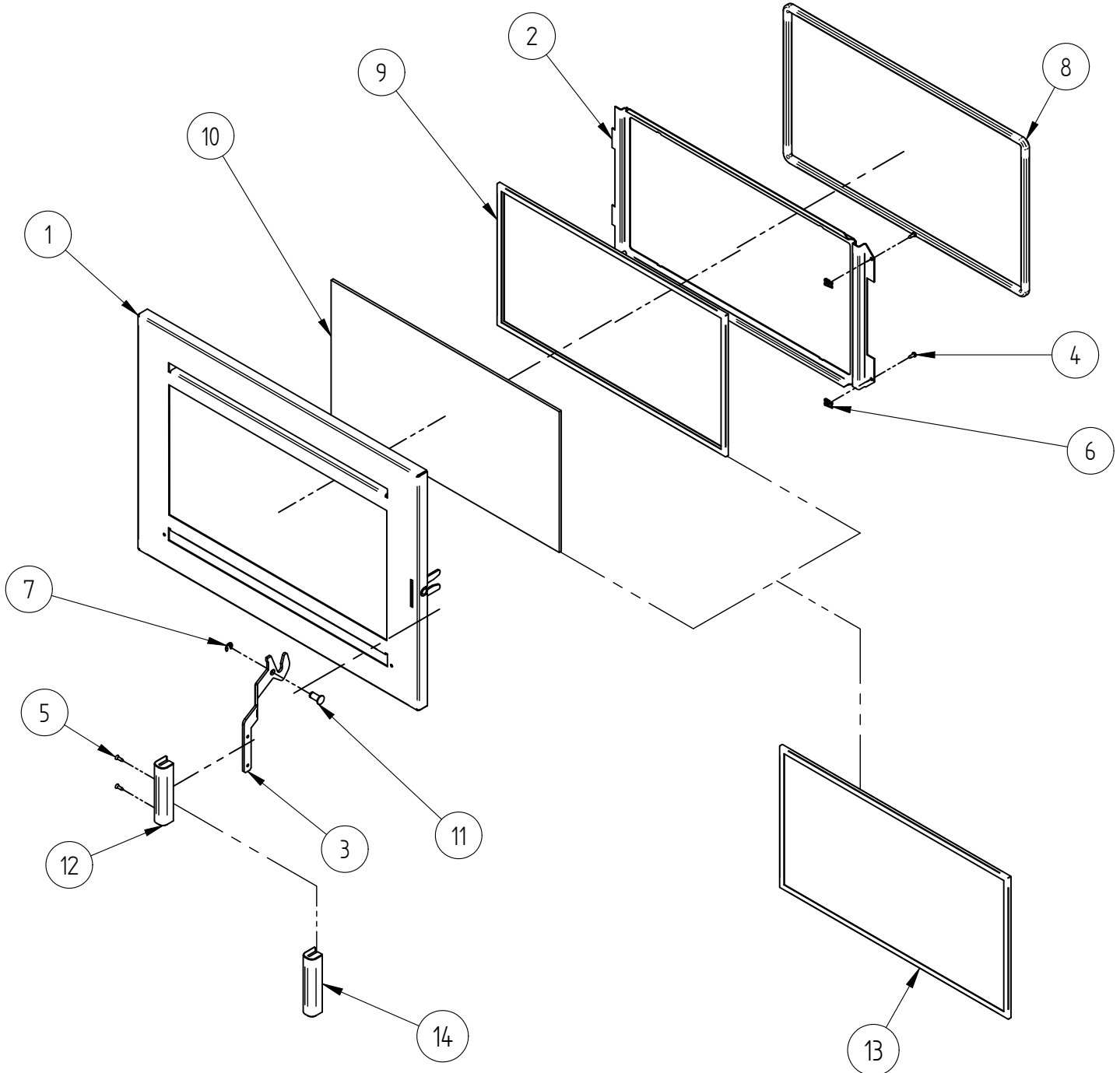


When ordering PLEASE QUOTE PART ID along with Finish Suffix (if applicable)

FIREBOX				
Item	Part ID	Models	Descriptions	Qty
		995921		
5	687102	-	F/B TOP LE 7000/PROVINCIAL	1
16	587108	-	ROD; TIE M8X 510	4
17	986146	-	COVER - SECONDARY AIR	2
18	986723	-	PLARE - BASE INNER F7000/ I-9000	1
19	993331	-	F/B HINGE I-9000	1
20	993479	-	DEFLECTOR ASSY- PRIMARY AIR F7000	1
21	995541	-	BRACKET-RETAIN	2
22	995542	-	BRKT-BOARD D/D GDVW	2
23	525007	-	PIN; TENSION 8X20 BLK BISSELL 001791	4
24	684089	-	PLUG, 34DIAPITTS/FATSO/WFIRE	2
25	687103	-	F/B BACK LE7&PR/CLRDO/GDVW/TOR	1
26	687104	-	F/B BOTTOM LE7/CLRDO/GNDVW/TOR	1
27	695517	-	F/B SIDE LH	1
28	695522	-	F/B SIDE RH	1
29	695558	-	F/B FRONT GRANDVIEW	1
30	521601	-	SCREW; S/T 1/4"X1/2" HEX FLANGE ZP	8
31	523019	-	WASHER; FLAT 5/16"X5/8"X16G ZP	1
32	522117	-	NUT; HEX STD M6 ZP	4
33	522118	-	NUT; HEX STD M8 ZP	12
34	521633	-	SCREW; S/T M6X25 HEX FLANGE TAPTITE	2
35	523035	-	WASHER; FLAT M8X22X3 HVY ZP	2
36	523034	-	WASHER; FLAT M8X19X1.6 ZP	14
37	521066	-	SCREW; M8X20 HEX ZP	2
38	521068	-	SCREW; M8X30 HEX ZP	6
39	524011	-	RIVET; 73 MS 5-3	4

When ordering PLEASE QUOTE PART ID along with Finish Suffix (if applicable)

DOOR ASSEMBLY

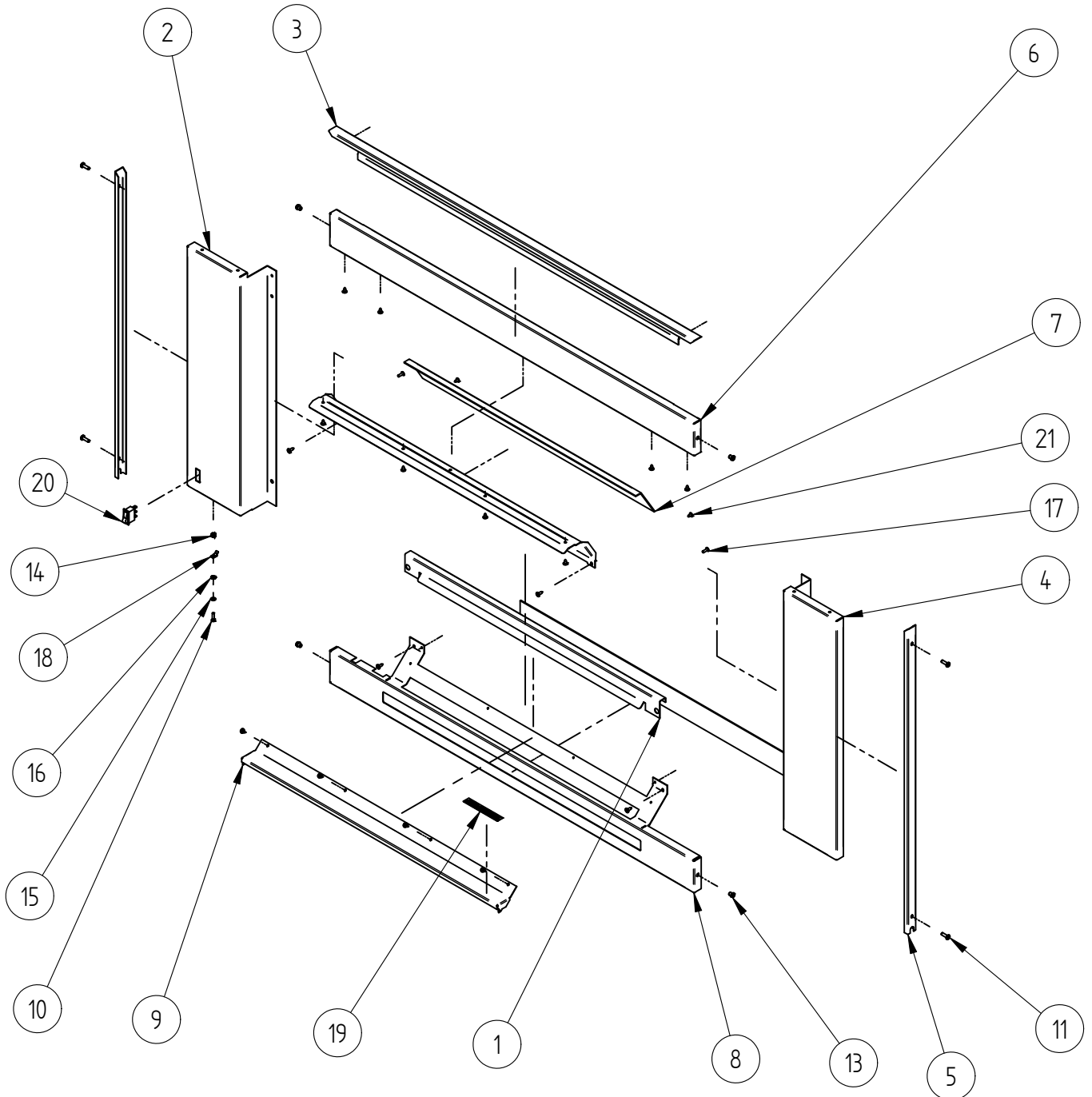


When ordering PLEASE QUOTE PART ID along with Finish Suffix (if applicable)

DOOR ASSEMBLY				
Item	Part ID	Models	Descriptions	Qty
		995921		
1	993320	V02	DOOR PANEL SUB ASSY, I9000	1
2	994516	-	RETAINER - GLASS, COLORADO	1
3	993328	-	HOOK DOOR LATCH - I9000	1
4	521619	-	SCREW; S/T 8GX1/2" PAN POZI ZP	2
5	521628	-	SCREW; S/T 8GX5/8" CSK POZI ZP	2
6	522401	-	NUT; SPIRE SNJ 0116/17/4/6	2
7	526202	-	CLIP; CIRCLIP E-CLIP 8 DIA DIN1500 ETC08	1
8	C15MMDR	-	DOOR ROPE	1
9	C20MMLT	-	TAPE ,FLT 3 X 20 LDR AD BLK X 50m ROLL	1
10	593031	-	GLASS W/F CLRADO, GR PROV, F7, I9	1
11	593276	-	PIN PIVOT DOOR CATCH LE4000	1
12	593330	-	HANDLE, DOOR, WOOD - LE4000, 4.0mm	1
13*	793031	-	DOOR GLASS KIT	1
14*	793330	-	DOOR HANDLE KIT	1

*Optional Sale Kit

INSERT FASCIA ASSEMBLY (995927)

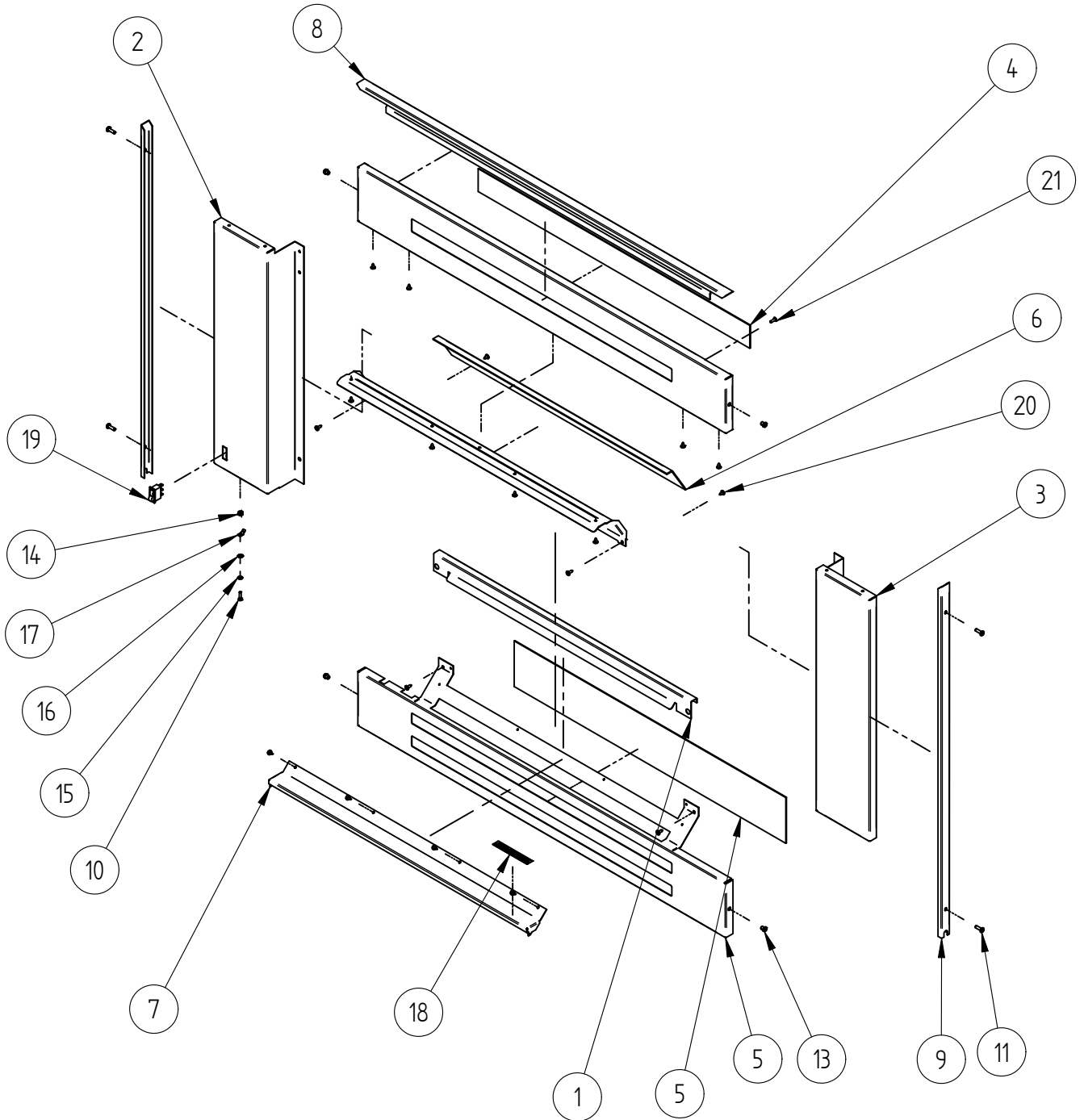


When ordering PLEASE QUOTE PART ID along with Finish Suffix (if applicable)

INSERT FASCIA ASSEMBLY (995927)				
Item	Part ID	Model	Descriptions	Qty
		995921		
1	993309	V02	CHANNEL-FASCIA, BTM I9000	1
2	993344	V02	CP FASCIA-LH, I9000 MET BLK VHT	1
3	993490	V02	CP TRIM-FASCIA, I9000 TOP MET BLK	1
4	993491	V02	CP FASCIA-RH, I9000 MET BLK VHT	1
5	993492	V02	CP TRIM-FASCIA, I9000 SIDE MET BLK	2
6	993493	V02	CP FASCIA TOP, I9000 INSERT MET BL M	1
7	993382	V02	FASCIA VENT COVER ASSY MET BLK VHT	1
8	993518	V02	CP FASCIA-BOTTOM ASS'Y, INSERT MET BL	1
9	993388	V02	I9000 FASCIA COVER - FAN	1
10	521015	-	SCREW; M4X16 PAN SLOT ZP	1
11	521033	-	SCREW; M5X16 PAN POZI BLK	4
12*	521645	-	SCREW; S/T 8GX1/2" MUSH FLANGE POZI BLK	4
13	522604	-	M5 RIVNUT	4
14	522800	-	NUT; SERRATED FLANGE M4 ZP	1
15	523028	-	WASHER; FLAT M5 BRS	1
16	523205	-	WASHER; STAR M4 EXT	1
17	524006	-	RIVET; 73 AS 5-5	2
18	596602	-	TAB 6.3mm X 45DEG -4.1mm	1
19	595695	-	DECAL "BURN ONLY" COMBINED NZ/AUS	1
20	503674	-	SWTCH-FAN ON/OFF/ON 810482955K	1
21	521627	-	SCREW; S/T 8GX3/8" MUSH FLANGE POZI BLK	14

When ordering PLEASE QUOTE PART ID along with Finish Suffix (if applicable)

ZC FASCIA ASSEMBLY (995926)

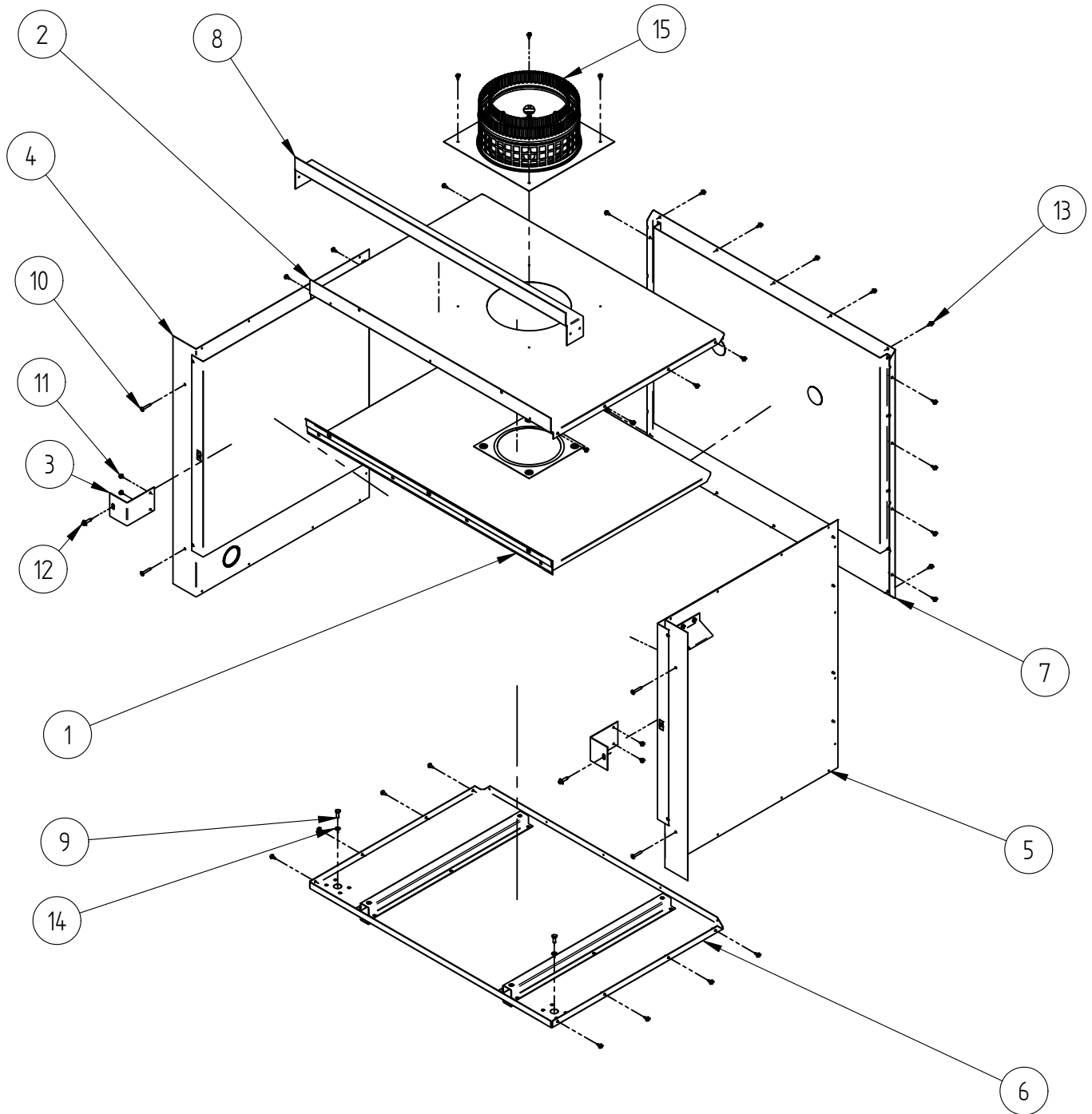


When ordering PLEASE QUOTE PART ID along with Finish Suffix (if applicable)

ZC FASCIA ASSEMBLY (995926)				
Item	Part ID	Models	Descriptions	Qty
		995921		
1	993309	V02	CHANNEL-FASCIA, BTM I9000	1
2	993344	V02	CP FASCIA-LH, I9000 MET BLK VHT	1
3	993491	V02	CP FASCIA-RH, I9000 MET BLK VHT	1
4	993446	V02	CP FASCIA I9000 - TOP ASS'Y, Z/C, MET BLK	1
5	993399	V02	CP FASCIA I9000 - BTM ASS'Y, Z/C MET BLK VH	1
6	993382	V02	FASCIA VENT COVER ASSY MET BLK VHT	1
7	993388	V02	I9000 FASCIA COVER - FAN	1
8	993490	V02	CP TRIM-FASCIA, I9000 TOP MET BLK	1
9	993489	V02	CP TRIM-FASCIA, I9000 SIDE MET BLK	2
10	521015	-	SCREW; M4X16 PAN SLOT ZP	1
11	521033	-	SCREW; M5X16 PAN POZI BLK	4
12*	521645	-	SCREW; S/T 8GX1/2" MUSH FLANGE POZI BLK	4
13	522604	-	M5 RIVNUT	4
14	522800	-	NUT; SERRATED FLANGE M4 ZP	1
15	523028	-	WASHER; FLAT M5 BRS	1
16	523205	-	WASHER; STAR M4 EXT	1
17	596602	-	TAB 6.3mm X 45DEG -4.1mm	1
18	595695	-	DECAL "BURN ONLY" COMBINED NZ/AUS	1
19	503674	-	SWTCH-FAN ON/OFF/ON 810482955K	1
20	521627	-	SCREW; S/T 8GX3/8" MUSH FLANGE POZI BLK	14
21	524006	-	RIVET; 73 AS 5-5	2

When ordering PLEASE QUOTE PART ID along with Finish Suffix (if applicable)

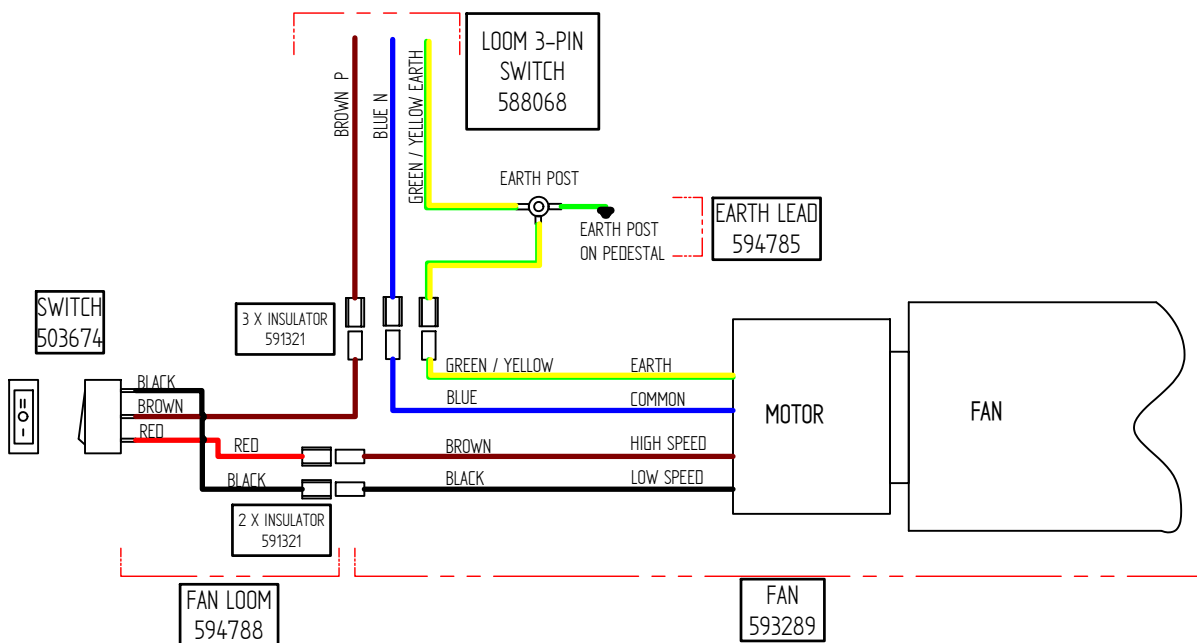
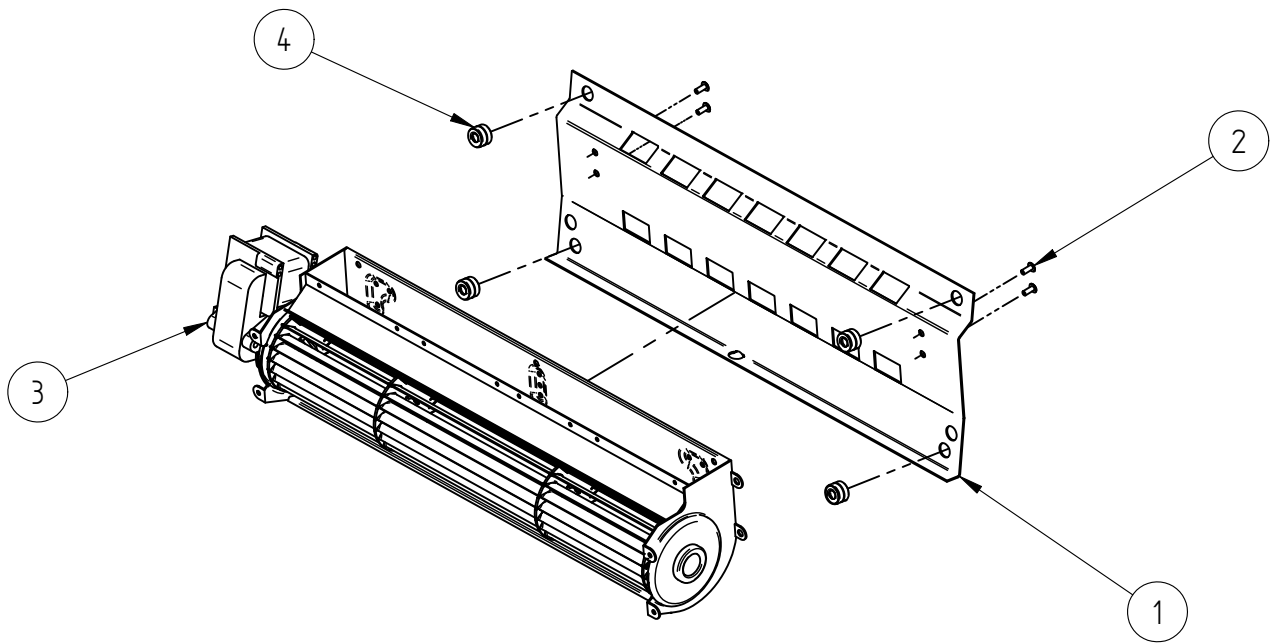
ZC ASSEMBLY



When ordering PLEASE QUOTE PART ID along with Finish Suffix (if applicable)

ZERO CLEARANCE BOX				
Item	Part ID	Models		Qty
		995921		
1	993360	-	PANEL-TOP, SHIELD ASSY ZC I9000	1
2	993361	-	PANEL TOP - ZC BOX I-9000	1
3	993370	-	BRACKET RESTRAINT, ZC I-9000	2
4	993390	-	FS SIDE PANEL ASS'Y L/H Z/C I9000	1
5	993391	-	FS SIDE PANEL ASS'Y R/H Z/C I9000	1
6	993392	-	FS BOTTOM PANEL ASS'Y Z/C I9000	1
7	993393	-	FS REAR PANEL ASSY Z/C I9000	1
8	995168	-	SUPPORT ANGLE - ZC BOX GR PROV	1
9	521076	-	SCREW; M6X16 HEX ZP	2
10	521607	-	SCREW; S/T 10GX1-1/4" PAN POZI ZP	4
11	521635	-	SCREW; S/T 10GX3/8" HEX FLANGE BLK	4
12	521637	-	SCREW; S/T 12GX25 TIMBERTITE	2
13	521643	-	SCREW; S/T 8GX1/2" HEX POZI BLK	38
14	523031	-	WASHER; FLAT M6 ZP	2
15	593374	-	FLANGE- SPIGOT ASSY I9000	1

When ordering PLEASE QUOTE PART ID along with Finish Suffix (if applicable)



Item	Part ID	Models	Descriptions	Qty
		995921		
1	993312	-	FAN MOUNT PLATE, I-9000	1
2	524010	-	RIVET; 73 AS 4-3 LONG	4
3	593289	-	FAN-2 SP TANG W/F INB FERGAS 76082	1
4	529402	-	GROMMET; 14X6	4

When ordering PLEASE QUOTE PART ID along with Finish Suffix (if applicable)

NOT ILLUSTRATED				
Item	Part ID	Models		Qty
		995921		
1	593286	-	OWNER MANUAL WOODFIRES	1
2	593359	-	INSTRUCT 19000 Z/C INSTALLATION	1
3	593487	-	INSTRUCT BRICK INSTALL	1
4	593358	-	INSTRUCT- 19000 INSERT INSTALLATION	1
5	595923	-	INSTRUCT 19000 Z/C BOX ASSEMBLY	1

SURFACE FINISH CODES FOR PANELS					
VITREOUS ENAMEL		VHT PAINT(Very High Temp)		POWDER COAT	
E01	MATT BLACK	V02	METALLIC BLACK	P02	MATT BLACK
E02	GLOSS BLACK	V03	CHARCOAL	P03	CHARCOAL
E03	CHARCOAL	V04	TITANIUM	P05	SATIN BLACK
		V05	CHARCOAL (DAM MET BLK)	P09	METTALIC BLACK
		V06	METALLIC BLACK ZINC		

When ordering PLEASE QUOTE PART ID along with Finish Suffix (if applicable)